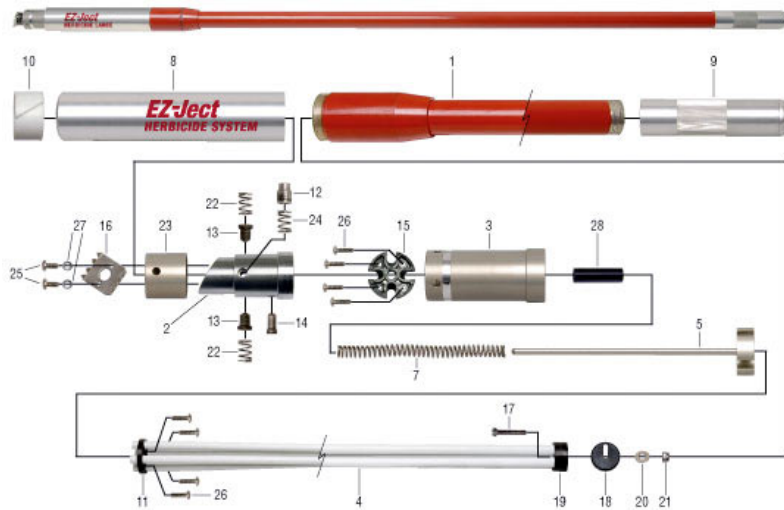


Parts Chart



Drawing #	# Part	Description
1	1001a	*Handle Assembly — standard length 47.5" (120cm)
1	1001b	*Handle Assembly — short length 25.25" (64cm)
2	1002	Injector Nose
3	1003	Injector Head
4	1004a	*Shell Chamber Assembly — standard length 55" (140cm)
4	1004b	*Shell Chamber Assembly — short length 32.5" (83cm)
5	1005	Injector Rod and Holder
7	1007	Injector Spring
8	1008	Head Sleeve
9	1009	End Cap
10	1010	Sleeve Bearing
11	1011	*Shell Chamber Retainer
12	1012	Index Button
13	1013	Shell Gate
14	1014	Interlock Pin
15	1015	*Head Insert
16	1016	Gripper Teeth
17	1017	*End Cap Pin
18	1018	*Shell Chamber Lid
19	1019	*Shell Chamber Cap
20	1020	*Rod Bushing
21	1021	*End Cap Nyloc Nut
22	1022	Shell Gate Spring
23	1023	Retainer Sleeve
24	1024	Index Button Spring
25	1025	Gripper Teeth Screws
26	1026	Shell Chamber Retainer and Injector Head Screws
27	1027	Gripper Teeth Lock Washers
28	1028	Injector Head Bushing

*Not available as replacement parts.

Download Complete Guide: http://www.ezject.com/PDF/ezject_instruction_guide.pdf (336KB PDF)